

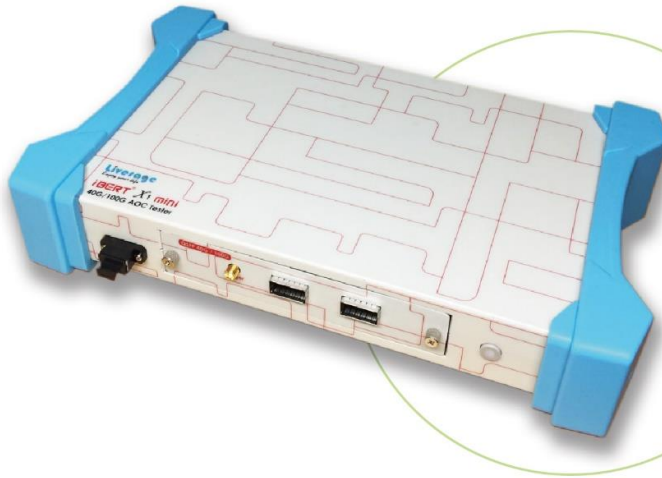


iBERT[®] X1 mini

0.1G~100G AOC/Transceiver Tester



iBERT X1 mini
Video on YouTube



iBERT X1 mini is a 0.1Gbps to 100Gbps AOC Bit Error Rate Tester (BERT). It can go with optional cages with different types of transceiver, QSFP or SFP. Connecting it to PC via USB cable, users can monitor the bit error rate and error count with a timer (or free running). The serial number and A0h/A2h information of transceiver module can also be monitored in the user interface.

APPLICATIONS

- ▶ 40 / 100 Gbps QSFP AOC Qualification
- ▶ 10 / 25 Gbps SFP AOC Qualification
- ▶ 40 / 100 Gbps QSFP Qualification
- ▶ 10 / 25 Gbps SFP Qualification

FEATURES

- ▶ Hot pluggable
- ▶ Standard USB for connecting with PC. OS needs Windows XP or above and Microsoft .NET Framework 4.
- ▶ 40/100 Gbps QSFP, 10/25 Gbps SFP interface module
- ▶ Friendly Graphic User Interface (GUI)
- ▶ 4Ch Power Meter



www.opt-ron.com

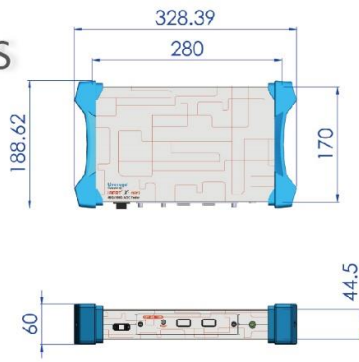
info@opt-ron.com



株式会社オプトロンサイエンス

〒113-0033 東京都文京区本郷 3-21-8
ケイアイビル 3 階
TEL:03-5800-1341 FAX:03-5800-1342

DIMENSIONS



Specification



Main Frame	
Slot	1 universal slot for installing modules
Operating Temp.	0°C ~ 50°C
Storage Temp.	-10°C ~ 70°C
Data rate	10.3125Gbps 25.78125Gbps
Power Supply	5V / 5A DC
Weight	1.3 kg
Dimension(W x D x H)	280 x 170 x 60mm
Slot Board	
QSFP module	2 Standard QSFP
SFP module	2 Standard SFP
Power Meter Port	
Input Adaptor	MPO Male / APC
SM Receiving Power Range	+5 ~ -60 dBm
MM Receiving Power Range	+5 ~ -40 dBm
Wavelength Mode	SR4、LR4、CWDM4、PSM4

Service Contact

Liverage Technology Inc.

3F-5, No. 30, Taiyuan Street, Chupei City, Hsinchu County 302, Taiwan

+886-3-553-5268

+886-3-552-5388

sales@liverage.com.tw

www.liverage.com.tw

2020 ver. A

www.opt-ron.com

info@opt-ron.com



株式会社オプトロンサイエンス

〒113-0033 東京都文京区本郷 3-21-8

ケイアイビル 3階

TEL:03-5800-1341 FAX:03-5800-1342