

25Gb/s Linear PIN LC ROSA

WPPTR250FNLCNJ1

Features

- LC receptacle with single mode fiber stub
- FPC electrical interface
- XMD-MSA compliant ROSA

Applications

- PAM4 optical systems

Absolute Maximum Ratings

Parameters	Symbol	Rating	Unit
TIA Supply Voltage	V_{CC}	-0.5 to 4.5	V
VPD Supply Voltage	V_{PD}	-0.5 to 4.5	V
Gain Control Voltage	GC	0 to V_{CC}	V
Maximum Optical Input Power	P_{max}	5	dBm
Operating Temperature Range	T_C	-5 to +85	°C
Storage Temperature Range	T_{STG}	-40 to +85	°C
Soldering Temperature	T_{SO}	350	°C

Performance Specifications

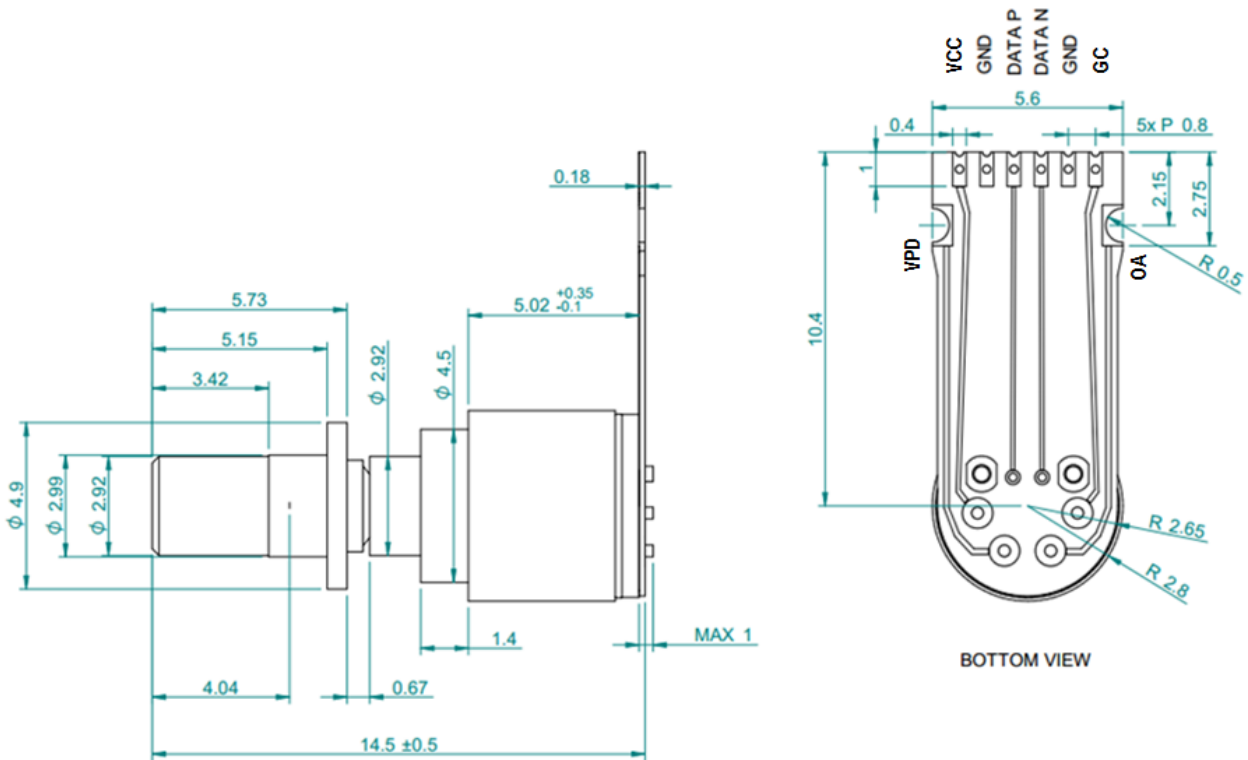
Parameters	Symbol	Test Condition	Min.	Typ.	Max.	Unit
Supply Voltage	V_{CC}	-	3.1	3.3	3.465	V
PD Supply Voltage	V_{PD}				3.465	V
Power Consumption	P_C	$V_{CC}=3.3V$		0.28		W
Wavelength	λ	-	1260		1640	nm
OE Bandwidth	BW	$P_{IN}=100\mu W$, 1310nm, $V_{PD}/V_{CC}=3.3V$, GC=0V		25		GHz
NRZ Sensitivity	P_S	25.781Gb/s, PRBS2 ³¹ -1,		-13.5		dBm
NRZ Overload	P_{MAX}	BER=10 ⁻¹² , ER=4.2dB	3			dBm
RSSI Monitor Current	RSSI _{MON}	$P_{IN}=100\mu W$, 1310nm, $V_{PD}/V_{CC}=3.3V$		90		μA
Total Harmonic Distortion	THD	1GHz to 13GHz, $P_{IN}<1.5dBm$		2	3	%
Low Frequency Cut-Off	f_{LOW}	-			500	kHz
TIA Gain Control Voltage	GC	Analog control	0		V_{CC}	V
TIA Output Adjust Voltage	OA	Analog control	0		V_{CC}	V

Precaution to use

The WPPTR250FNLCNJ1 is sensitive to electrostatic discharge (ESD) and should be handled with appropriate caution. Please use standard ESD protective equipment when handling this product.

Mechanical Specifications

Dimensions (unit: mm)



Ordering information

WPPTR250FNLCNJ

Specifications described here are subject to change without notice



Tel: +82-62-602-8100

www.wooriro.com

sales@wooriro.com