

## 4 Port Polarization Beam Splitter/Combiner (PBS/PBC)

<b>Features</b>	
Low Insertion Loss High Extinction Ratio High Stability and Reliability	
<b>Application</b>	
Amplifier Fiber sensor Coherent Telecommunication Systems Polarization Mode Dispersion Compensator	

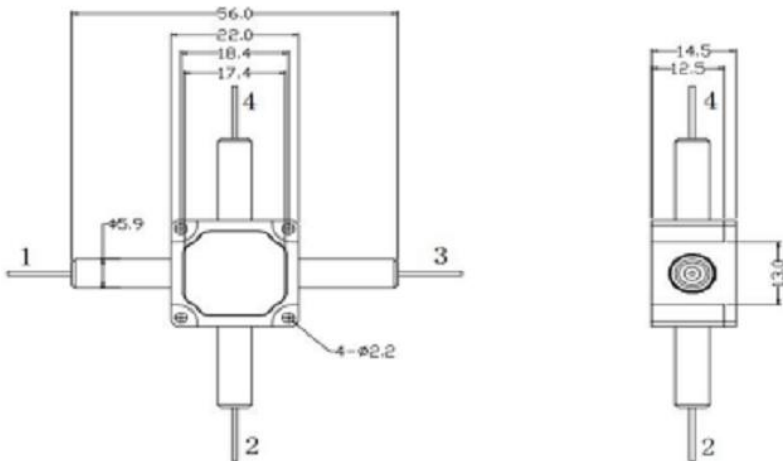
### Specifications

Parameter	Type	2x2	
Wavelength (nm)	1550	980, 1030, 1064	
Operating Bandwidth (nm)	±30	±30	
Insertion Loss (dB)	≤1.0	≤1.0	
Extinction Ratio (dB)(only for PBS)	≥20	≥20	
Directivity 1-4, 2-3 (dB)	≥50		
Return loss (dB)	≥50		
Power handling (mW, CW)	≤300		
Fiber Type	Panda Fiber		
Operating temperature (°C)	-5~+70		
Storage temperature (°C)	-40 ~ +80		
Dimensions (mm)	56.0x14.5x13.0		

\*Above Specifications are for device without connectors, for devices with connectors. The PM fiber and the connector key are aligned to slow axis.

Optical Path: P1 Input, P2 /P3 output, P3 Panda fiber is align to P1, P2 Input , P3/P4 output , P4 Panda fiber is align to port 2

### Package Dimensions



### Ordering Information

PBS PBC	Port	Wavelength	Pigtail Type	Length	Connector
	2x2	1550nm 1064nm 1030nm 980nm	1=900um loose tube	5=0.5m 7=0.7m 1=1m	NE=None FA=FC/APC FC=FC/UPC SA=SC/APC SC=SC/UPC XX=Other