



EB-EML-5.5-1311-200-01

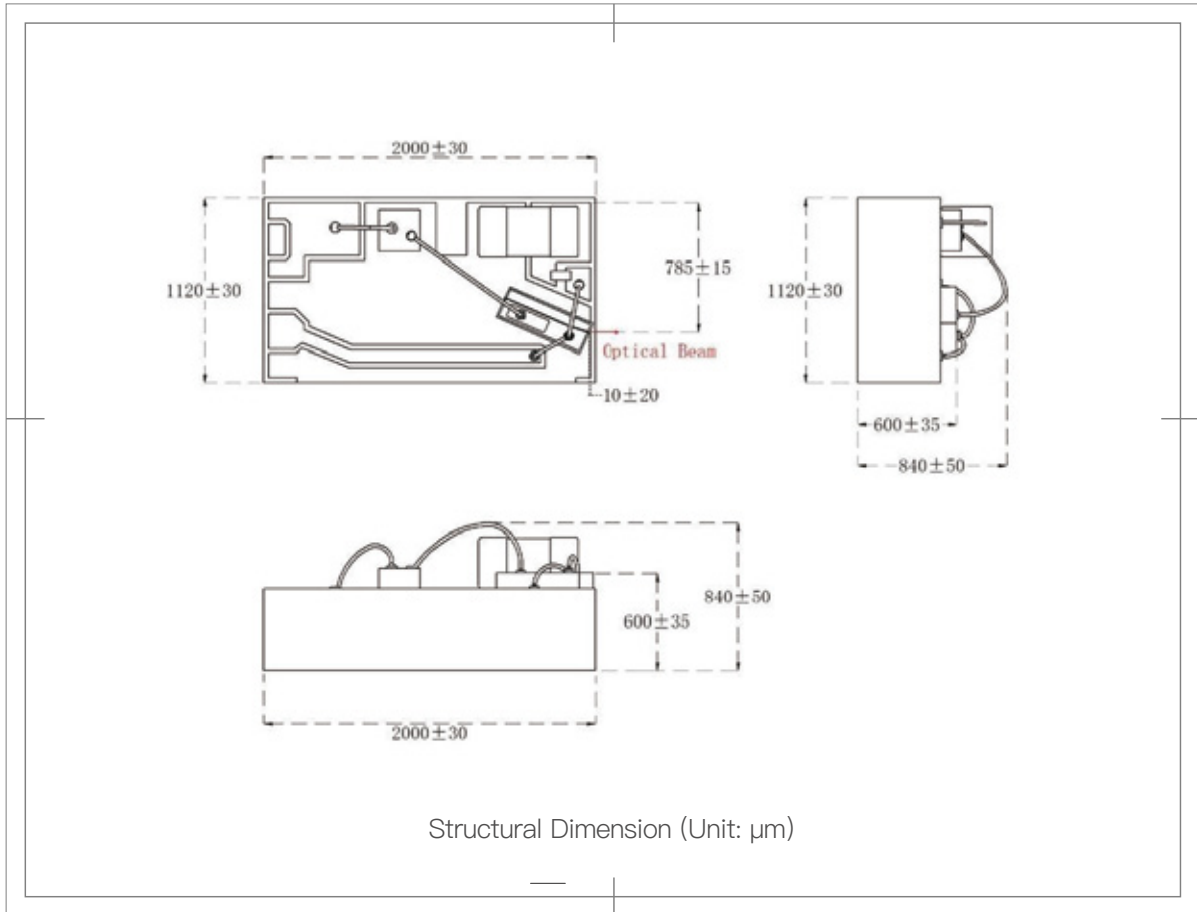
Product Code	Description	Type	Date Rate	Operating Temperature
EB-EML-5.5-1271-200-01	1271nm 200G PAM4 EML CoC	CoC	200G	45~60°C
EB-EML-5.5-1291-200-01	1291nm 200G PAM4 EML CoC	CoC	200G	45~60°C
EB-EML-5.5-1311-200-01	1311nm 200G PAM4 EML CoC	CoC	200G	45~60°C
EB-EML-5.5-1331-200-01	1331nm 200G PAM4 EML CoC	CoC	200G	45~60°C

Characteristics

	Unit	Min	Typical	Max	Notes
Bias Current for LD	mA		80		
Forward Voltage for LD	V		1.5	1.8	$I_{op}, T_{op} = 52.5^{\circ}\text{C}$
Laser Wavelength	nm	1264.5		1277.5	
	nm	1284.5		1297.5	
	nm	1304.5		1317.5	
	nm	1324.5		1337.5	
Side Mode Suppression Ratio	dB	35			
Relative Intensity Noise	dB/Hz			-146	$I_{op}, T_{op} = 52.5^{\circ}\text{C}$
AC Extinction Ratio	dB		4.5		$I_{op} = 80 \text{ mA}, T_{op} = 52.5^{\circ}\text{C}, V_{pp} = 1.0\text{V}$
Average Optical Power	dBm	5.5			$I_{op} = 80 \text{ mA}, T_{op} = 52.5^{\circ}\text{C}, V_{pp} = 1.0\text{V}$
3dB Bandwidth	GHz	56			CoC, $I_{op}, T_{op}, V_{EAM} = V_{bias}$

Remarks

1. Explanation of Item Number: EB (Everbright in short)–EML(Electro–absorption Modulated Laser)–5.5(Power dBm)–1311 (Wavelength)–200 (Modulated rate 200G)–01 (Version Number)
2. The above optical and electrical properties are applicable to 4 different wavelengths of CoC optical components.
3. When used under extreme operating conditions, it will cause permanent damage to the chip.
4. Long–term use under near–limit operating conditions may adversely affect product performance and life.
5. Take general ESD precautions when operating the CoC. The CoC is delivered in an ESD package, after removing the chip from the package, use it in an environment where ESD is taken, including but not limited to a standard grounding workbench, foot pad, and wrist strap.



Applications

 800G / 1.6T Ethernet

Features

 High Bandwidth

 High Power

 Low Power Consumption

 Low RIN



SUZHOU EVERBRIGHT PHOTONICS CO., LTD
 No.56, Lijiang Road, SND, Suzhou, China
www.everbrightphotonics.com Sales@everbrightphotonics.com +86-512-66896988

Notice: Everbright keep improving its products to provide our customers with outstanding quality and reliability. We may change the specification and product description without notice at any time. For complete details, please contact Everbright sales representative.

