

EB-EML-5.5-1311-56-01



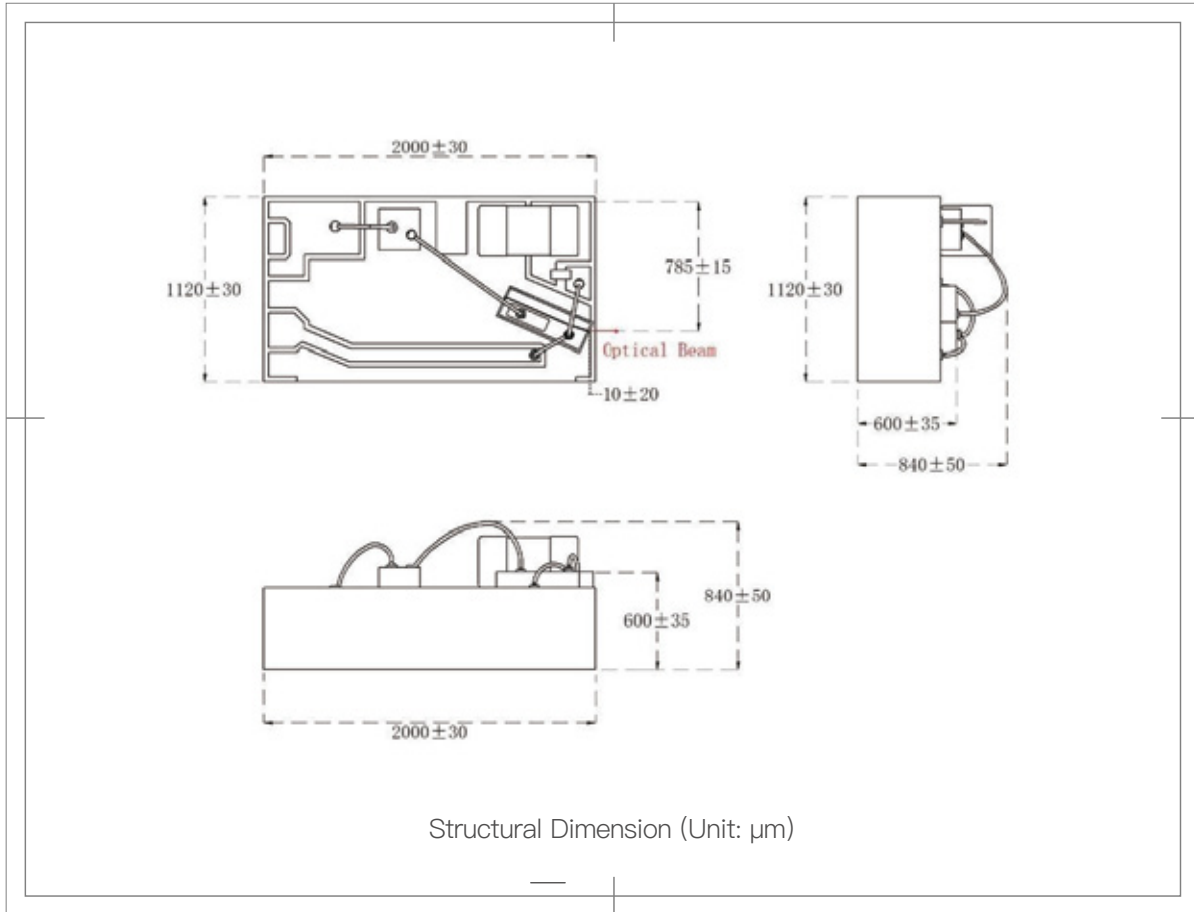
Product Code	Description	Type	Date Rate	Operating Temperature
EB-EML-5.5-1271-56-01	1271nm 100G PAM4 EML	CoC	100G	0~85°C
EB-EML-5.5-1291-56-01	1291nm 100G PAM4 EML	CoC	100G	0~85°C
EB-EML-5.5-1311-56-01	1311nm 100G PAM4 EML	CoC	100G	0~85°C
EB-EML-5.5-1331-56-01	1331nm 100G PAM4 EML	CoC	100G	0~85°C

Characteristics

	Unit	Min	Typical	Max	Notes
Bias Current for LD	mA	40		105	BOL
Bias Current for LD	mA	50		120	EOL
Forward Voltage for LD	V		1.5	1.8	$T_{op} = 85^{\circ}\text{C}$, $I_{op} = 105\text{mA}$
Laser Wavelength	nm	1304.50		1317.50	
Side Mode Suppression Ratio	dB	35			
Relative Intensity Noise	dB/Hz			-142	$\text{CW}, I_{op} = 40\text{mA}$, $T_{op} = 5^{\circ}\text{C}$, $V_{EAM} = 0\text{V}$
AC Extinction Ratio	dB	4.0			$T_{op} = 0\sim 85^{\circ}\text{C}$, $V_{pp} = 1.2\text{V}$
Average Optical Power	dBm	5.5			85°C , $I_{op} = 105\text{mA}$, $V_{pp} = 1.2\text{V}$
3dB Bandwidth	GHz	35			$\text{CoC}, I_{op}, T_{op}, V_{EAM} = V_{bias}$

Remarks

1. Explanation of Item Number: EB (Everbright in short) –EML(Electro-absorption Modulated Laser) –5.5 (Power dBm) –1311 (Wavelength) –56 (Modulated rate 56Gbd) –01 (Version Number)
2. The above optical and electrical properties are applicable to 4 different wavelengths of CoC optical components.
3. When used under extreme operating conditions, it will cause permanent damage to the chip.
4. Long-term use under near-limit operating conditions may adversely affect product performance and life.
5. Take general ESD precautions when operating the CoC. The CoC is delivered in an ESD package, after removing the chip from the package, use it in an environment where ESD is taken, including but not limited to a standard grounding workbench, foot pad, and wrist strap.



Applications



200G/400G/800G Ethernet

Features



High Bandwidth



High Power



Low Power Consumption



Low RIN



SUZHOU EVERBRIGHT PHOTONICS CO., LTD

No.56, Lijiang Road, SND, Suzhou, China

www.everbrightphotonics.com Sales@everbrightphotonics.com +86-512-66896988

Notice: Everbright keep improving its products to provide our customers with outstanding quality and reliability. We may change the specification and product description without notice at any time. For complete details, please contact Everbright sales representative.

