

■ List of Single Emitter Chips

★New product
 ★Under development

<Laser Diodes>

(Tc=25°C)

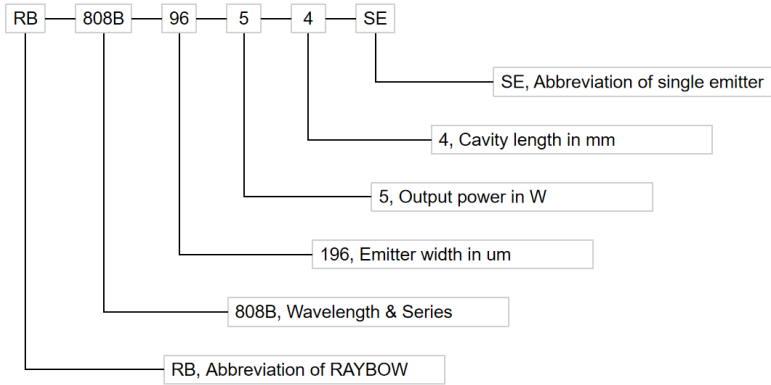
| Model | Wavelength (nm) | Emitter width (μm) | Characteristics | | | | | Product type |
|--------------------------|-----------------|--------------------|---------------------|---------------------|---------------------|---------------------------------|---------------------------------|--------------|
| | | | P _{op} (w) | I _{op} (A) | V _{op} (V) | θ _z (°) [Ⓢ] | θ _l (°) [Ⓢ] | |
| RB-638A-20-0.2-1.5-SE | 638 | 20 | 0.2 | 0.35 | 2.2 | 7 | 35 | SE/TO56 |
| RB-638A-20-0.5-1.5-SE★ | 638 | 20 | 0.5 | 0.1 | 2.2 | 12 | 35 | SE/TO56 |
| RB-638A-40-0.5-1.5-SE | 638 | 40 | 0.5 | 0.16 | 2.1 | 8 | 35 | SE/TO56 |
| RB-638A-40-0.7-1.5-SE★ | 638 | 40 | 0.7 | 0.17 | 2.2 | 15 | 35 | SE/TO56 |
| RB-638A-110-1-1.5-SE | 638 | 110 | 1 | 1.5 | 2.1 | 8 | 37 | SE/COS/TO9 |
| RB-638A-75×2-2.1-1.5-SE★ | 638 | 75*2 | 2.1 | 2.7 | 2.2 | 8 | 40 | SE/COS |
| RB-650A-55-0.5-1.2-SE★ | 650 | 55 | 0.5 | 0.7 | 2.1 | 7 | 37 | SE/TO56 |
| RB-650A-110-1-1.5-SE | 650 | 110 | 1 | 1.5 | 2.1 | 7 | 30 | SE/TO56 |
| RB-665A-55-0.5-1.2-SE | 665 | 55 | 0.5 | 0.7 | 2.1 | 8 | 40 | SE/TO56 |
| RB-665A-110-2-1.5-SE | 665 | 110 | 2 | 2.1 | 2.1 | 8 | 37 | SE/COS/TO9 |
| RB-690A-110-1-1.5-SE | 690 | 110 | 1 | 1.2 | 2.1 | 8 | 35 | SE/COS/TO9 |
| RB-755A-350-10-2.5-SE | 755 | 350 | 10 | 9 | 1.9 | 10 | 36 | SE/COS |
| RB-755A-390-20-4.5-SE★ | 755 | 390 | 20 | 20 | 1.72 | 10 | 39 | SE/COS |
| RB-780B-96-5-4-SE★ | 780 | 96 | 5 | 5 | 1.8 | 9 | 36 | SE/COS |
| RB-790B-190-10-4-SE | 790 | 190 | 10 | 9.25 | 1.75 | 8 | 35 | SE/COS |
| RB-808B-150-3-1-SE | 808 | 150 | 3 | 2.5 | 1.8 | 8 | 30 | SE/COS/TO9 |
| RB-808B-96-5-4-SE★ | 808 | 96 | 5 | 4.8 | 1.7 | 8 | 36 | SE/COS |
| RB-808B-190-5-1.5-SE | 808 | 190 | 5 | 4.5 | 1.75 | 9 | 33 | SE/COS |
| RB-808B-190-10-4-SE | 808 | 190 | 10 | 9 | 1.75 | 8 | 36 | SE/COS |
| RB-808B-350-10-2.5-SE | 808 | 350 | 10 | 9 | 1.75 | 8 | 36 | SE/COS |
| RB-808B1-390-20-4.5-SE★ | 808 | 390 | 20 | 20 | 1.58 | 10 | 39 | SE/COS |
| RB-830A-40-2-2-SE★ | 830 | 40 | 2 | 2 | 1.9 | 8 | 36 | SE/COS |
| RB-840E-300-225-0.75-SE★ | 840 | 300 | 225@QCW | 39 | 16.5 | 14 | 23 | SE/TO |
| RB-880A-350-10-2.5-SE | 880 | 350 | 10 | 10 | 1.73 | 8 | 35 | SE/COS |
| RB-880B-190-15-4-SE | 880 | 190 | 15 | 15 | 1.72 | 8.5 | 35 | SE/COS |
| RB-905A-74-25-0.75-SE | 905 | 74x10 | 25@QCW | 7 | 6.8 | 12 | 30 | SE/TO56/SF |
| RB-905A-150-50-0.75-SE | 905 | 150x10 | 50@QCW | 14 | 7.1 | 12 | 30 | SE/TO56/SF |
| RB-905B-20-6-0.75-SE | 905 | 20x2 | 6@QCW | 5 | 2.6 | 16 | 30 | SE/TO56/SF |
| RB-905B-200-25-0.75-SE | 905 | 220x2 | 25@QCW | 20 | 3.8 | 14 | 30 | SE/SF |
| RB-905C-50-20-0.75-SE | 905 | 50x10 | 20@QCW | 6 | 7.6 | 14 | 30 | SE/TO56/SF |
| RB-905C-75-25-0.75-SE | 905 | 75x10 | 25@QCW | 7 | 7.2 | 17 | 30 | SE/TO56 |

| | | | | | | | | |
|------------------------------|-------------|--------|---------|------|------|-----|----|------------|
| RB-905C-75-35-0.75-SE☆ | 905 | 75x10 | 35@QCW | 10 | 8.5 | 14 | 22 | SE/TO56 |
| RB-905C-100-40-0.75-SE | 905 | 100x10 | 40@QCW | 13 | 8.5 | 16 | 30 | SE/TO56/SF |
| RB-905C-135-65-0.75-SE | 905 | 135x10 | 65@QCW | 19 | 10.2 | 14 | 22 | SE/TO56/SF |
| RB-905C-300-75-0.75-SE | 905 | 300x10 | 75@QCW | 22 | 9.5 | 12 | 30 | SE/TO56 |
| RB-905C-300-135-0.75-SE☆ | 905 | 220x13 | 135@QCW | 38 | 12.2 | 14 | 22 | SE/TO56 |
| RB-905D-100-55-0.75-SE | 905 | 100x14 | 55@QCW | 13 | 10.5 | 14 | 30 | SE/TO56 |
| RB-905D-105-70-0.75-SE | 905 | 105x15 | 70@QCW | 17 | 15.7 | 10 | 22 | SE/TO56 |
| RB-905D-135-95-0.90-SE☆ | 905 | 135x16 | 95@QCW | 21 | 17 | 15 | 23 | SE/TO56 |
| RB-905D-300-165-0.75-SE | 905 | 300x16 | 165@QCW | 40 | 14 | 14 | 23 | SE/TO56 |
| RB-905E-60-55-0.75-SE☆ | 905 | 60x20 | 55@QCW | 11 | 18 | 14 | 22 | SE/TO56 |
| RB-905E-105-120-0.75-SE☆ | 905 | 105x20 | 120@QCW | 23 | 18 | 14 | 22 | SE/TO56 |
| RB-905E-135-150-0.9-SE☆ | 905 | 130x20 | 150@QCW | 30 | 20 | 16 | 22 | SE/TO56 |
| RB-905E-300-225-0.75-SE☆ | 905 | 300x20 | 225@QCW | 38 | 18 | 14 | 22 | SE/TO56 |
| RB-915/940/976A-96-12-4.8-SE | 915/940/976 | 96 | 12 | 12 | 1.6 | 9 | 28 | SE/COS |
| RB-915/940/976A-190-20-4-SE | 915/940/976 | 190 | 20 | 20 | 1.7 | 10 | 31 | SE/COS |
| RB-940A-190-5-1.5-SE | 940 | 190 | 5 | 5 | 1.6 | 9 | 26 | SE/COS/TO9 |
| RB-940A-96-10-4-SE | 940 | 96 | 10 | 10 | 1.6 | 9 | 31 | SE/COS |
| RB-940A-190-15-4-SE | 940 | 190 | 15 | 15 | 1.75 | 10 | 32 | SE/COS |
| RB-976A-96-13-4-SE | 976 | 96 | 13 | 12.5 | 1.5 | 8 | 28 | SE/COS |
| RB-976A-150-18-4.5-SE | 976 | 150 | 18 | 17.2 | 1.62 | 8.5 | 36 | SE/COS |
| RB-976A-190-25-4-SE | 976 | 190 | 25 | 23 | 1.65 | 9 | 33 | SE/COS |
| RB-976A-230-30-4.5-SE | 976 | 230 | 30 | 28 | 1.6 | 9.5 | 32 | SE/COS |
| RB-976A-290-35-4.5-SE☆ | 976 | 290 | 35 | 35 | 1.65 | 10 | 32 | SE/COS |
| RB-1064A-150-3-1-SE | 1064 | 150 | 3 | 3 | 1.4 | 7 | 30 | SE/COS/TO9 |
| RB-1064A-190-5-1.5-SE | 1064 | 150 | 5 | 5 | 1.6 | 7 | 28 | SE/TO9 |
| RB-1064A-190-12-4-SE☆ | 1064 | 190 | 12 | 15 | 1.65 | 8 | 28 | SE/COS |
| RB-1064A-350-10-2.5-SE | 1064 | 350 | 10 | 12.5 | 1.65 | 10 | 28 | SE/COS |
| RB-1470A-96-2-1-SE | 1470 | 96 | 2 | 5 | 1.8 | 13 | 32 | SE/COS/TO9 |
| RB-1470A/B-96-3.6-2-SE | 1470 | 96 | 3.6 | 9 | 1.6 | 13 | 32 | SE/COS/TO9 |
| RB-1470B-96-5-3-SE☆ | 1470 | 96 | 5 | 15 | 1.4 | 14 | 30 | SE/COS/TO9 |
| RB-1470A-190-5.5-2-SE | 1470 | 190 | 5.5 | 15 | 1.6 | 13 | 30 | SE/COS |
| RB-1470A-200-7-3-SE☆ | 1470 | 200 | 7 | 19 | 1.35 | 10 | 35 | SE/COS |
| RB-1550A-96-3.6-2-SE | 1550 | 96 | 3.6 | 9 | 1.45 | 13 | 32 | SE/COS/TO9 |
| RB-1550A-190-5.5-2-SE☆ | 1550 | 190 | 5.5 | 15 | 1.45 | 13 | 30 | SE/COS |
| RB-1550A-190-50-2-SE | 1550 | 190 | 50@QCW | 55 | 23 | 11 | 40 | SE/COS/TO9 |
| RB-1725A-96-2.5-2-SE☆ | 1725 | 96 | 2.5 | 9 | 1.35 | 11 | 40 | SE/COS/TO9 |

| | | | | | | | | |
|------------------------|------|-----|-----|-----|------|----|----|------------|
| RB-1725A-190-4-2-SE☆ | 1725 | 190 | 4 | 14 | 1.27 | 10 | 38 | SE/COS/TO9 |
| RB-1940B-96-1.5-2-SE | 1940 | 96 | 1.5 | 7.2 | 1.1 | 12 | 43 | SE/COS/TO9 |
| RB-1940A-190-2.5-2-SE | 1940 | 190 | 2.5 | 14 | 1.1 | 11 | 39 | SE/COS/TO9 |
| RB-2000A-190-2.5-2-SE☆ | 2000 | 190 | 2.5 | 13 | 1.07 | 10 | 39 | SE/COS/TO9 |

Notes: ①. Full width at 95 % power content ②. FWHM(Full width half maximum)

Order information:



■ List of Bare Bars

★New product
 ★Under development

<Laser Diodes>

(Tc=25°C)

| Model | Wavelength (nm) | Operation mode | Power (w) | Filling factor (%) | Number of emitters | Cavity length (mm) |
|------------------------------|-----------------|----------------|-----------|--------------------|--------------------|--------------------|
| RB-755A-48-80-23-1.5-BAR★ | 755 | QCW | 80 | 48 | 23 | 1.5 |
| RB-755A-48-100-23-1.5-BAR | 755 | QCW | 100 | 48 | 23 | 1.5 |
| RB-755A-72-200-34-1.5-BAR | 755 | QCW | 200 | 72 | 34 | 1.5 |
| RB-780B-19-125-25-4-BAR | 780 | CW | 125 | 19 | 25 | 4 |
| RB-780B-38-125-25-2.5-BAR☆ | 780 | CW | 125 | 38 | 25 | 2.5 |
| RB-808B-30-50-19-1-BAR | 808 | CW | 50 | 30 | 19 | 1 |
| RB-808B-48-100-23-1.5-BAR☆ | 808 | CW | 100 | 48 | 23 | 1.5 |
| RB-808B-72-150-17-1.5-BAR | 808 | QCW | 150 | 72 | 17 | 1.5 |
| RB-808B-72-300-34-1.5-BAR | 808 | QCW | 300 | 72 | 34 | 1.5 |
| RB-808B-72-500-34-1.5-BAR | 808 | QCW | 500 | 72 | 34 | 1.5 |
| RB-880A-30-80-19-2-BAR | 880 | CW | 80 | 30 | 19 | 2 |
| RB-905C-75-540-4-0.75-BAR☆ | 905 | QCW | 540 | 75 | 4 | 0.75 |
| RB-905C-75-1080-16-0.75-BAR☆ | 905 | QCW | 1080 | 75 | 16 | 0.75 |
| RB-905D-47-176-4-0.75-BAR☆ | 905 | QCW | 176 | 47 | 4 | 0.75 |
| RB-905D-47-704-16-0.75-BAR | 905 | QCW | 704 | 47 | 16 | 0.75 |
| RB-905D-75-800-8-0.75-BAR☆ | 905 | QCW | 800 | 75 | 8 | 0.75 |
| RB-905E-47-480-4-0.75-BAR☆ | 905 | QCW | 480 | 47 | 4 | 0.75 |
| RB-940A-30-100-19-2-BAR | 940 | CW | 100 | 30 | 19 | 2 |
| RB-940A-50-200-24-3-BAR | 940 | CW | 200 | 50 | 24 | 3 |
| RB-940A-38-250-20-4-BAR | 940 | CW | 250 | 38 | 20 | 4 |
| RB-940A-76-600-40-2-BAR | 940 | QCW | 600 | 76 | 40 | 2 |
| RB-976A-10-35-5-4-BAR | 976 | CW | 35 | 10 | 5 | 4 |
| RB-976A-76-400-40-2-BAR | 976 | QCW | 400 | 76 | 40 | 2 |
| RB-1060A-30-50-19-1-BAR | 1060 | CW | 50 | 30 | 19 | 1 |
| RB-1060A-48-100-23-1.5-BAR | 1060 | CW | 100 | 48 | 23 | 1.5 |
| RB-1470A-19-7-12-1-BAR | 1470 | CW | 7 | 19 | 12 | 1 |
| RB-1470A-19-25-19-2-BAR | 1470 | CW | 25 | 19 | 19 | 2 |
| RB-1550A-19-25-19-2-BAR | 1550 | CW | 25 | 19 | 19 | 2 |
| RB-1565A-19-7-12-1-BAR☆ | 1565 | CW | 7 | 19 | 12 | 1 |

Order information:

